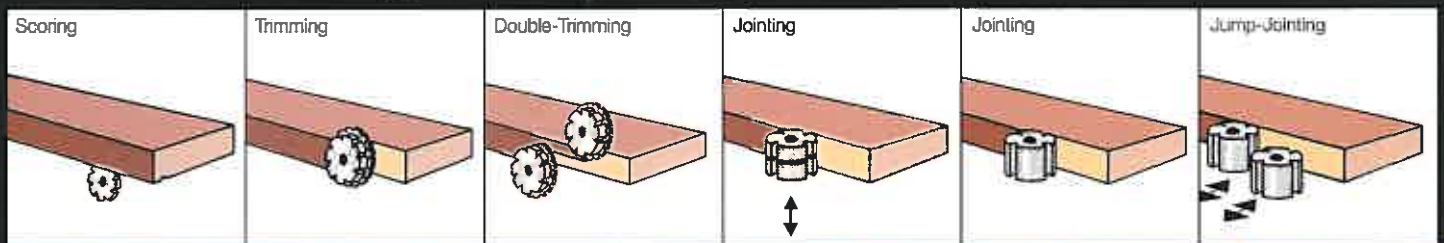


# LACH DIAMANT

TOOLING SYSTEM



## Panelizing with Diamond



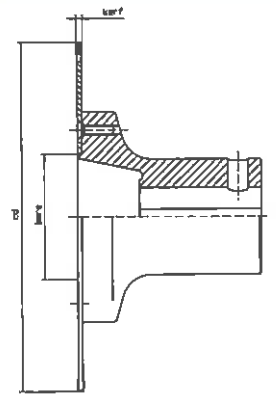
## DIAMOND SCORING BLADE - CUSTOM MADE

Application: Prescoring of laminated panels on double end tenoners.

Scoring blade is available with flange.



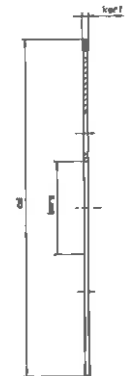
Ø D cd mm	B kerf mm	b mm	Ød bore mm	Teeth	Expansion slots
180	3,2	2,2	65	24	6 NL 6,5 TK90
180	3,2	2,2	65	30	6 NL 6,5 TK90
180	3,2	2,2	65	36	6 NL 6,5 TK90
180	3,2	2,2	65	48	6 NL 6,5 TK90
180	3,2	2,2	65	54	6 NL 6,5 TK90



## DIAMOND SCORING BLADE FOR QUICK-CHANGE-FLANGE - CUSTOM MADE

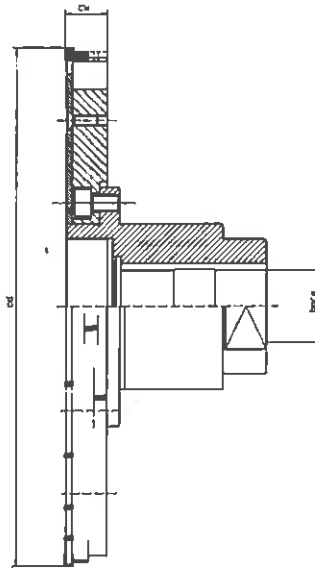
Application: Scoring of laminated boards in climb cut.

Ø D cd mm	B kerf mm	b mm	Ød bore mm	Teeth	Expansion slots
180	3,2	2,2	50	36	3 NL 22 TK 80
180	3,2	2,2	50	48	3 NL 22 TK 80
180	3,2	2,2	50	54	3 NL 22 TK 80
200	3,2	2,2	50	42	3 NL 22 TK 80
200	3,2	2,2	50	64	3 NL 22 TK 80



# DIAMOND TRIM-HOGGING COMBINATION- CUSTOM MADE

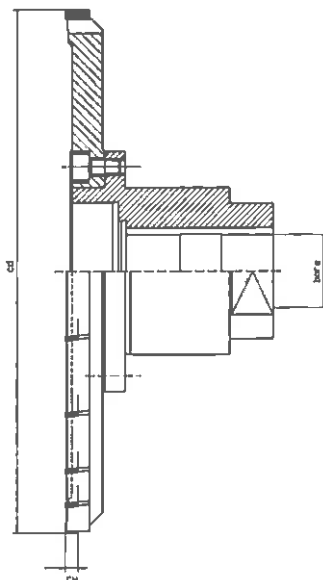
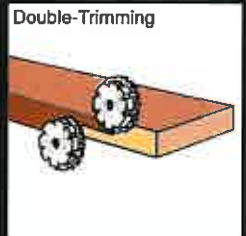
Application: Trimming of laminated panels on double end tenoners.  
Climb or conventional cut. Tool will be manufactured with flange.  
Trim blade with face shear for excellent finish.



ØD cd mm	B cw mm	Ød bore mm	Double Keyway	Teeth
200	18,0	35	2/10x4	24
200	18,0	35	2/10x4	28
200	18,0	35	2/10x4	32
200	18,0	35	2/10x4	36
200	18,0	35	2/10x4	40
200	18,0	35	2/10x4	44
200	18,0	35	2/10x4	48
250	18,0	35	2/10x4	24
250	18,0	35	2/10x4	30
250	18,0	35	2/10x4	36
250	18,0	35	2/10x4	42
250	18,0	35	2/10x4	48
250	18,0	35	2/10x4	54
250	18,0	35	2/10x4	60
250	18,0	35	2/10x4	66
250	18,0	35	2/10x4	72

# DIAMOND TRIM BLADE- CUSTOM MADE

Application: Trimming of laminated panels on double end tenoners.  
Climb or conventional cut. Tool will be manufactured with flange.  
Face shear for excellent finish.

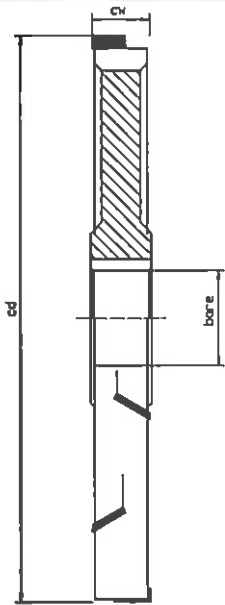


ØD cd mm	B cw mm	Ød bore mm	Double Keyway	Teeth
200	10,0	35	2/10x4	24 + 4
200	10,0	35	2/10x4	28 + 4
200	10,0	35	2/10x4	32 + 4
200	10,0	35	2/10x4	36 + 4
200	10,0	35	2/10x4	40 + 4
200	10,0	35	2/10x4	44 + 4
200	10,0	35	2/10x4	48 + 4
250	10,0	35	2/10x4	24 + 6
250	10,0	35	2/10x4	30 + 6
250	10,0	35	2/10x4	36 + 6
250	10,0	35	2/10x4	42 + 6
250	10,0	35	2/10x4	48 + 6
250	10,0	35	2/10x4	54 + 6
250	10,0	35	2/10x4	60 + 6
250	10,0	35	2/10x4	66 + 6
250	10,0	35	2/10x4	72 + 6

## DIAMOND MILLING CUTTER (ONE PIECE TOOL) - CUSTOM MADE

Application: Edge trimming of laminated panels on shapers or double end tenoners.

Joining

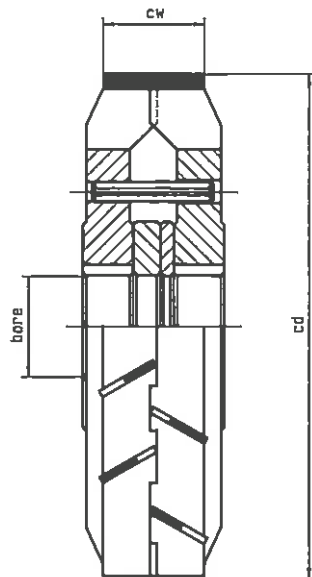


ØD cd mm	B cw mm	Ød bore mm	Double Keyway	Teeth
180	25	35	10x4	3+3
180	25	35	10x4	4+4
180	25	35	10x4	5+5
180	25	35	10x4	6+6

## DIAMOND MILLING CUTTER ADJUSTABLE (TWO PIECE TOOL) - CUSTOM MADE

Application: Edge trimming of laminated panels on double end tenoners.

Joining



ØD cd mm	B cw mm	Ød bore mm	Double Keyway	Teeth
150	28	30	10x4	2 (3+3)
150	28	30	10x4	2 (4+4)
150	28	30	10x4	2 (5+5)
150	35	30	8x3	2 (5+5)
180	51	35	10x4	3 (6+6)
200	28	35	10x4	2 (2+2)
200	28	35	10x4	2 (3+3)
200	28	35	10x4	2 (4+4)
200	28	35	10x4	2 (5+5)
200	28	35	10x4	2 (6+6)
200	28	35	10x4	2 (7+7)
200	28	40	12x5	2 (4+4)
220	28	35	10x4	2 (8+8)

